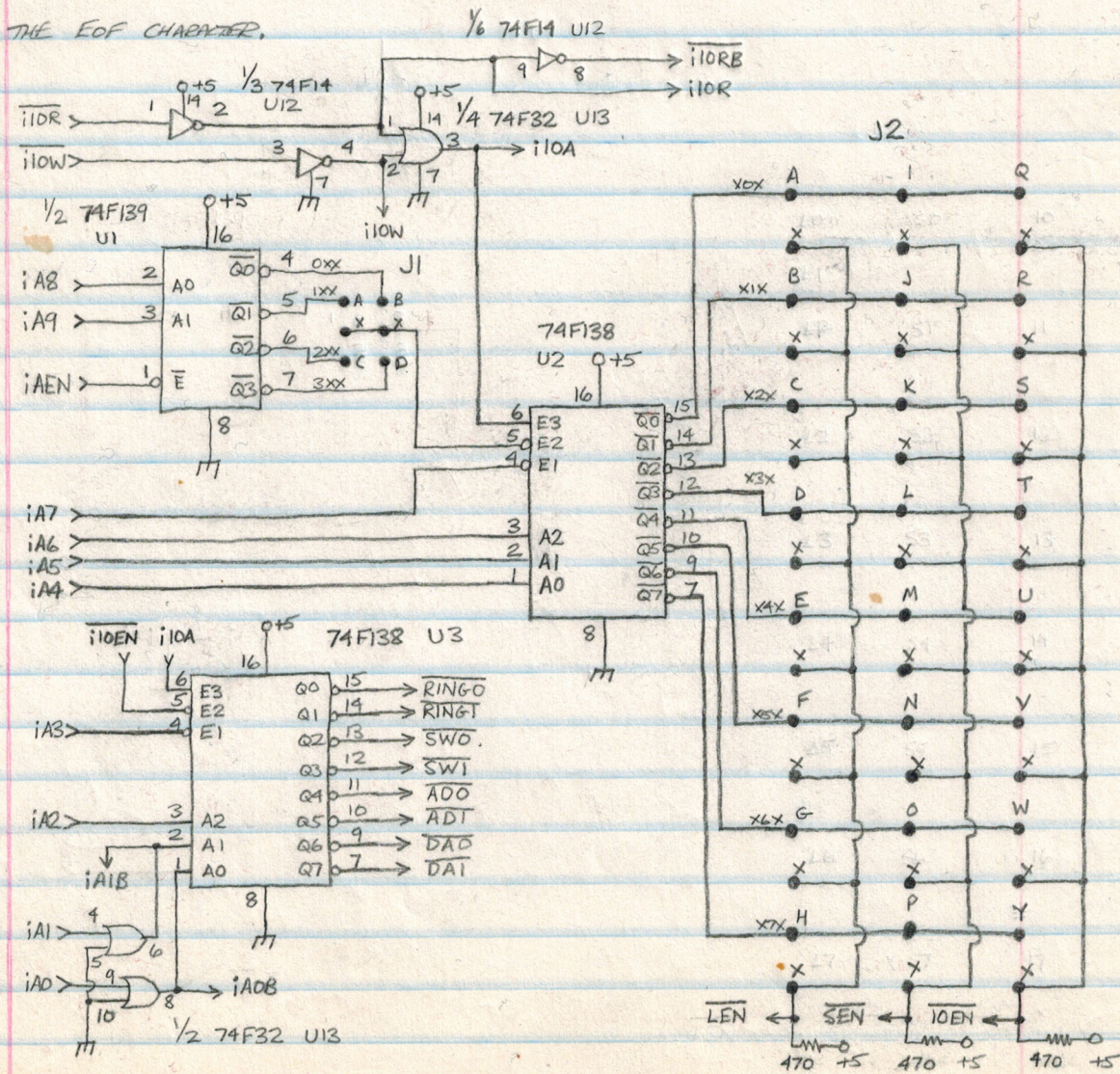


8401 AT ADD ON I/O PCB

8401 PCB
100-0070
PAGE 1

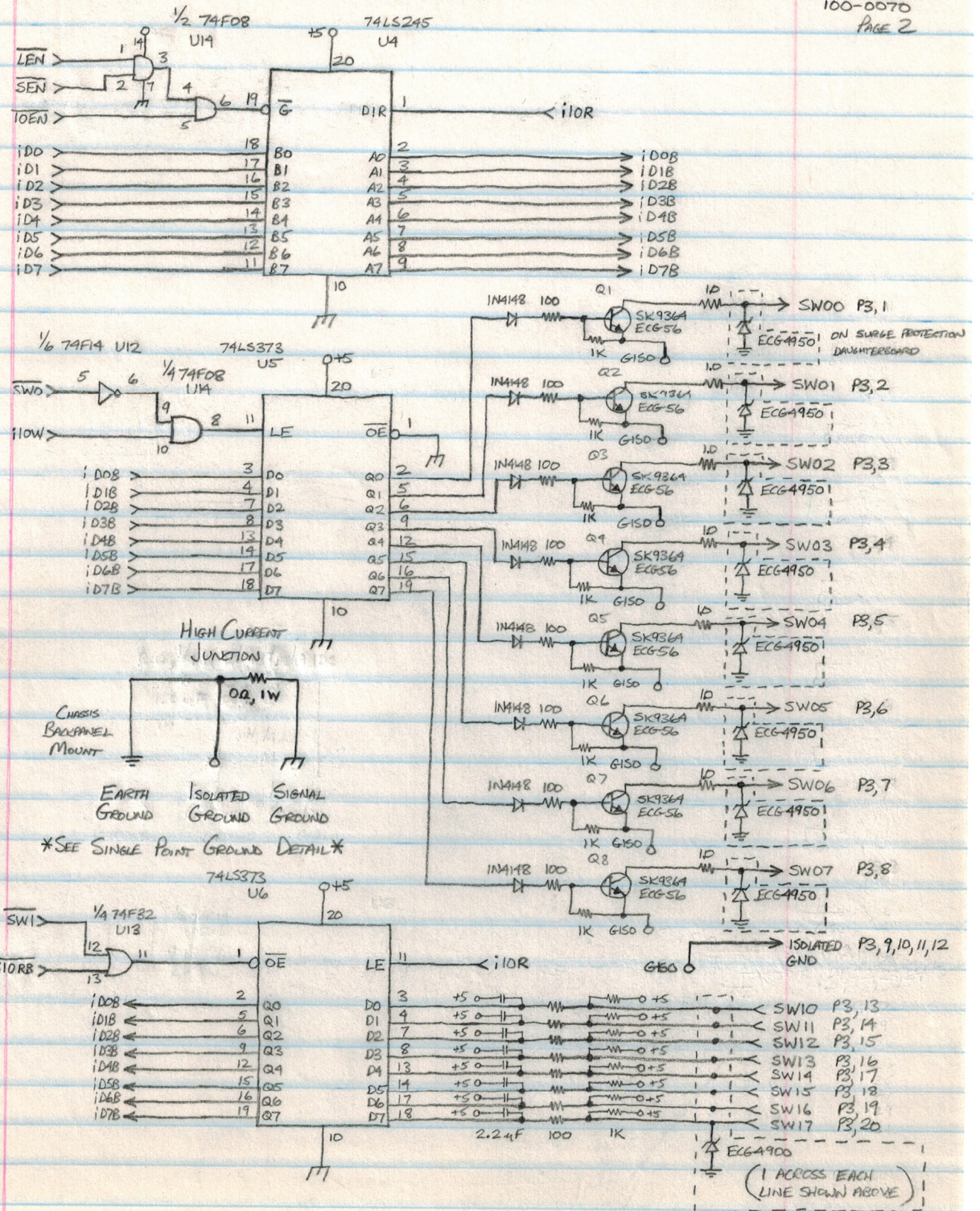
THE 8401 PCB IS A MULTI-PURPOSE I/O DEVICE FOR ISA Buss IBM COMPATIBLE COMPUTERS. IT CONTAINS (8) SWITCH INPUTS, (8) 3A SWITCH OUTPUTS, (2) 8 BIT DIGITAL TO ANALOG CONVERTER CHANNELS, (8) 8 BIT ANALOG TO DIGITAL CONVERTER CHANNELS, AND AN INMOS T800 PROCESSOR WITH 1MB OR 4MB RAM, (1) PC LINK, (4) TRANSPUTER LINKS, AND A 4KB DUAL PORT RAM FOR SHARED MEMORY APPLICATIONS. A DEDICATED MEMORY LOCATION HAS BEEN PROVIDED ON THE TRANSPUTER AND ON THE PC I/O SPACE TO SIGNAL THAT SHARED MEMORY ACCESS HAS TAKEN PLACE. THIS SO CALLED "RING" LOCATION WILL PROVIDE AN INTERRUPT TO THE CORRESPONDING PROCESSOR WHEN WRITTEN WITH THE EOF CHARACTER.



09/22/91

DATA BUFFER AND SWITCH I/O

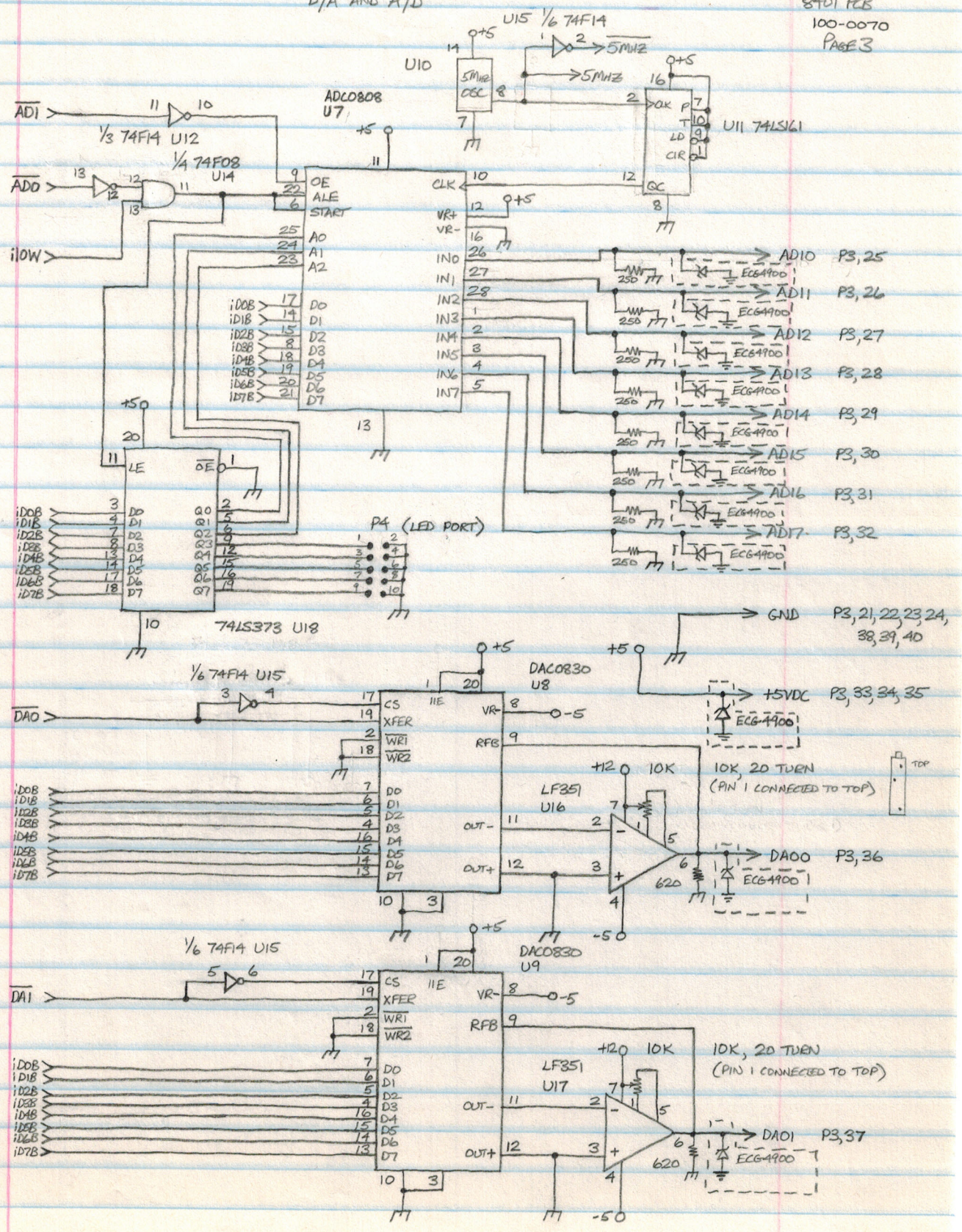
8401 PCB
100-0070
PAGE 2



09/22/91

D/A AND A/D

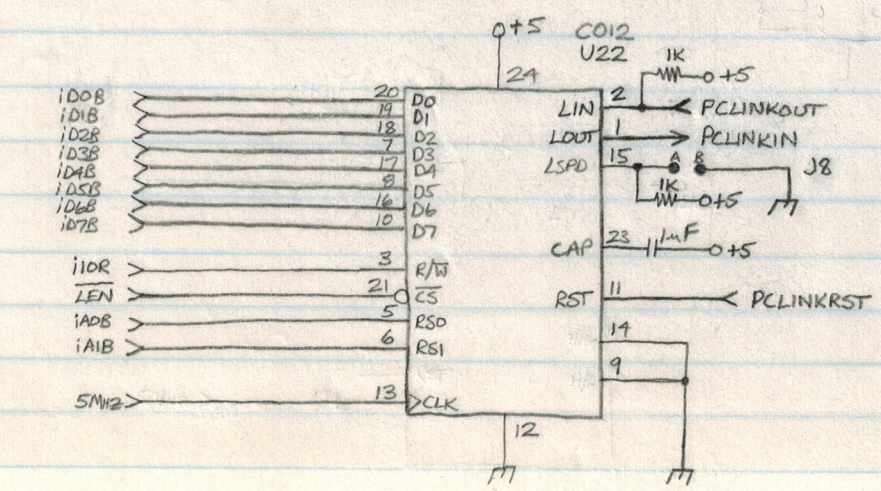
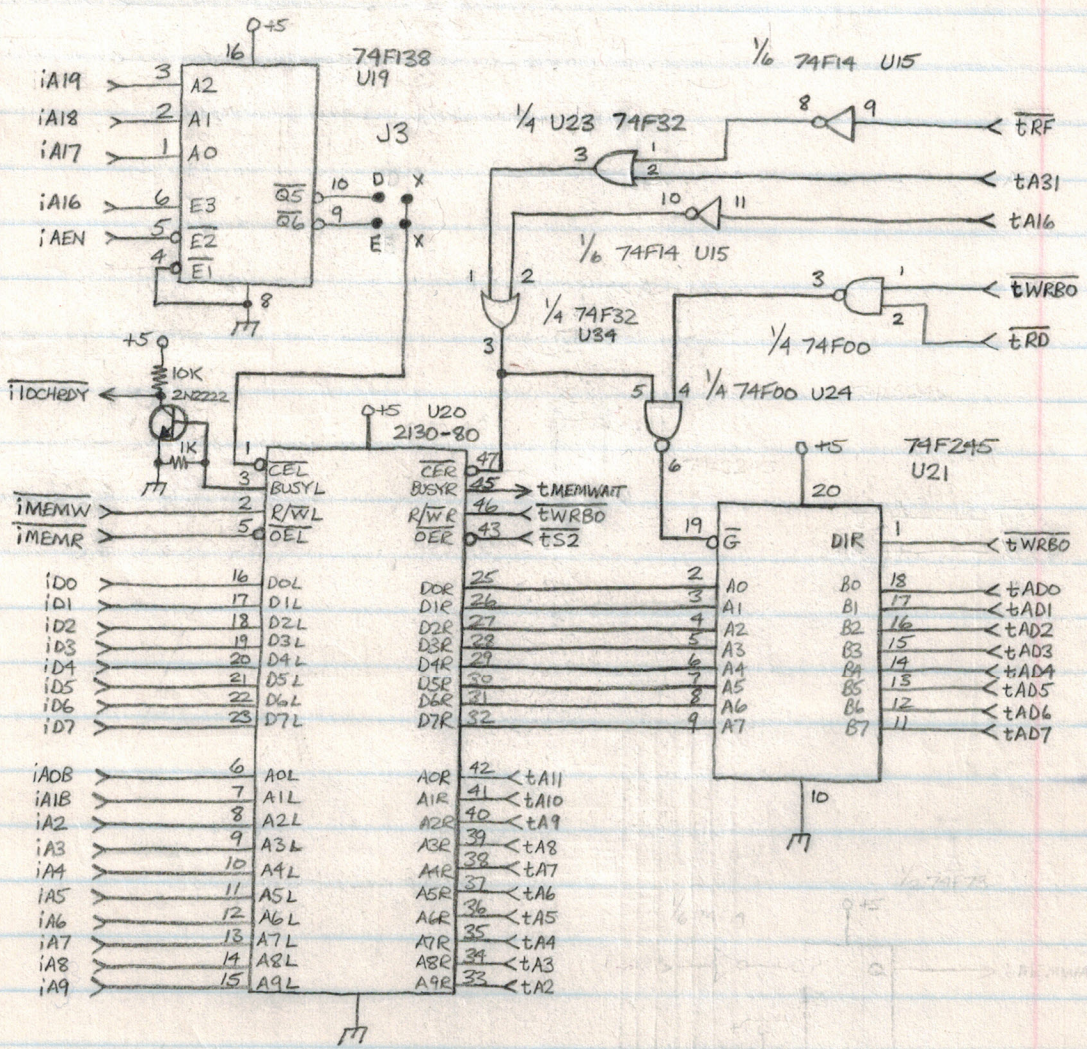
8F01 PCB
100-0070
PAGE 3



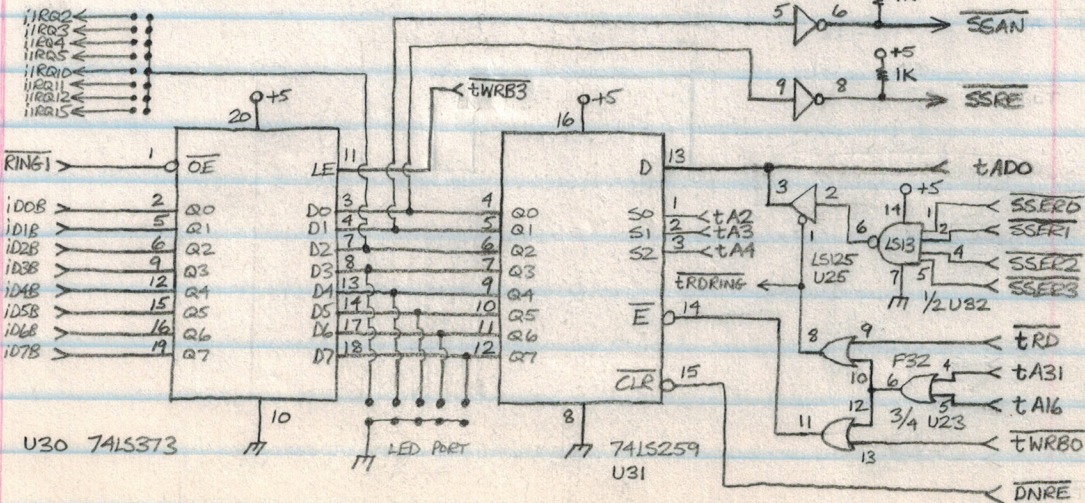
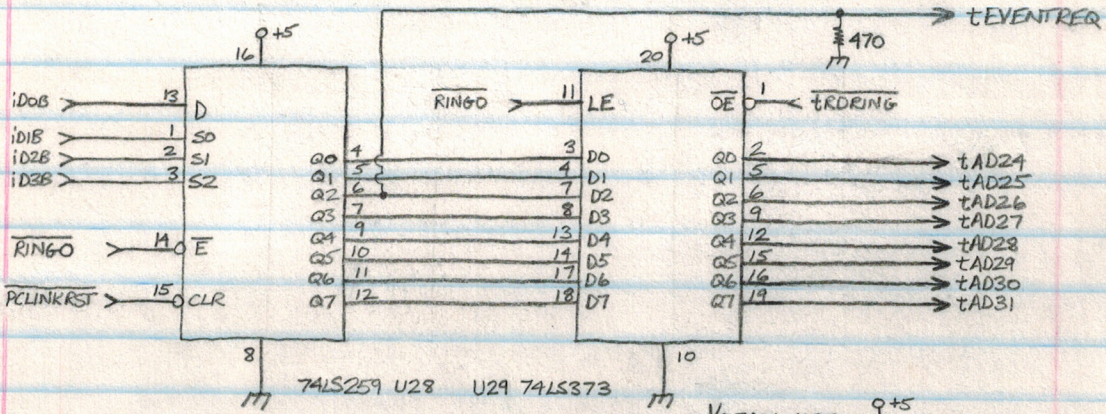
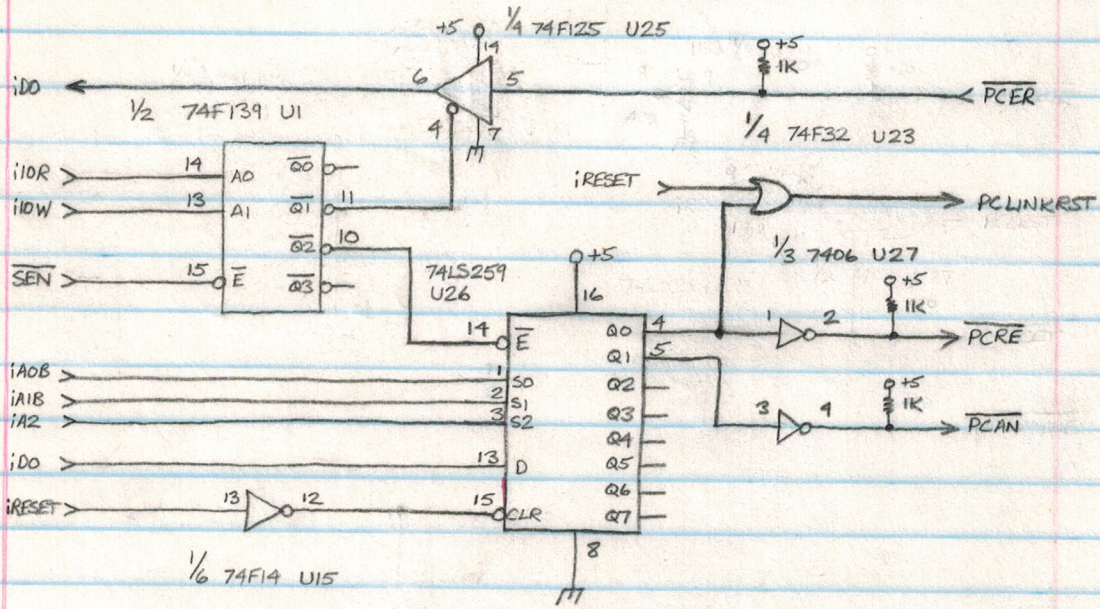
09/22/91

SHARED MEMORY AND PC LINK

8401 PCB
100-0070
PAGE 4



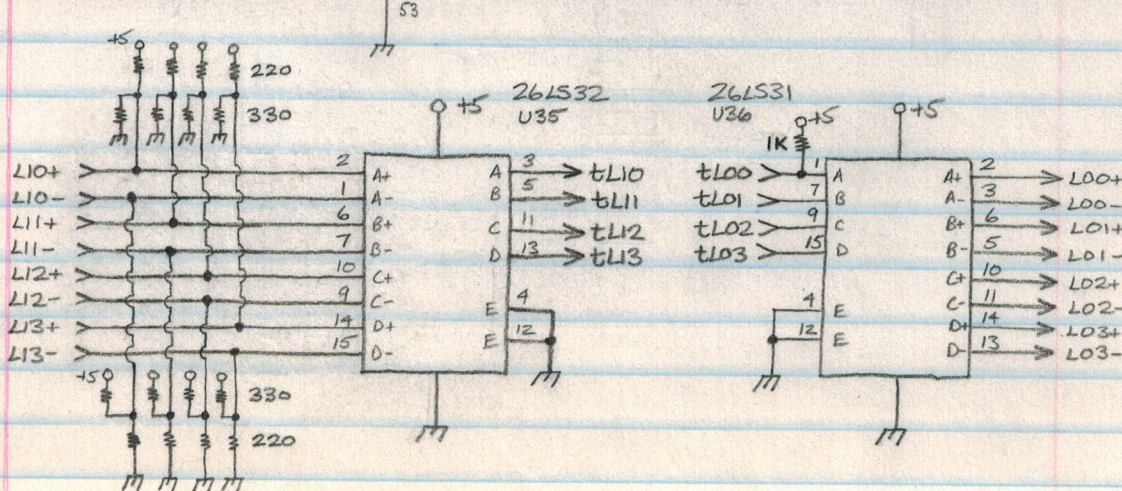
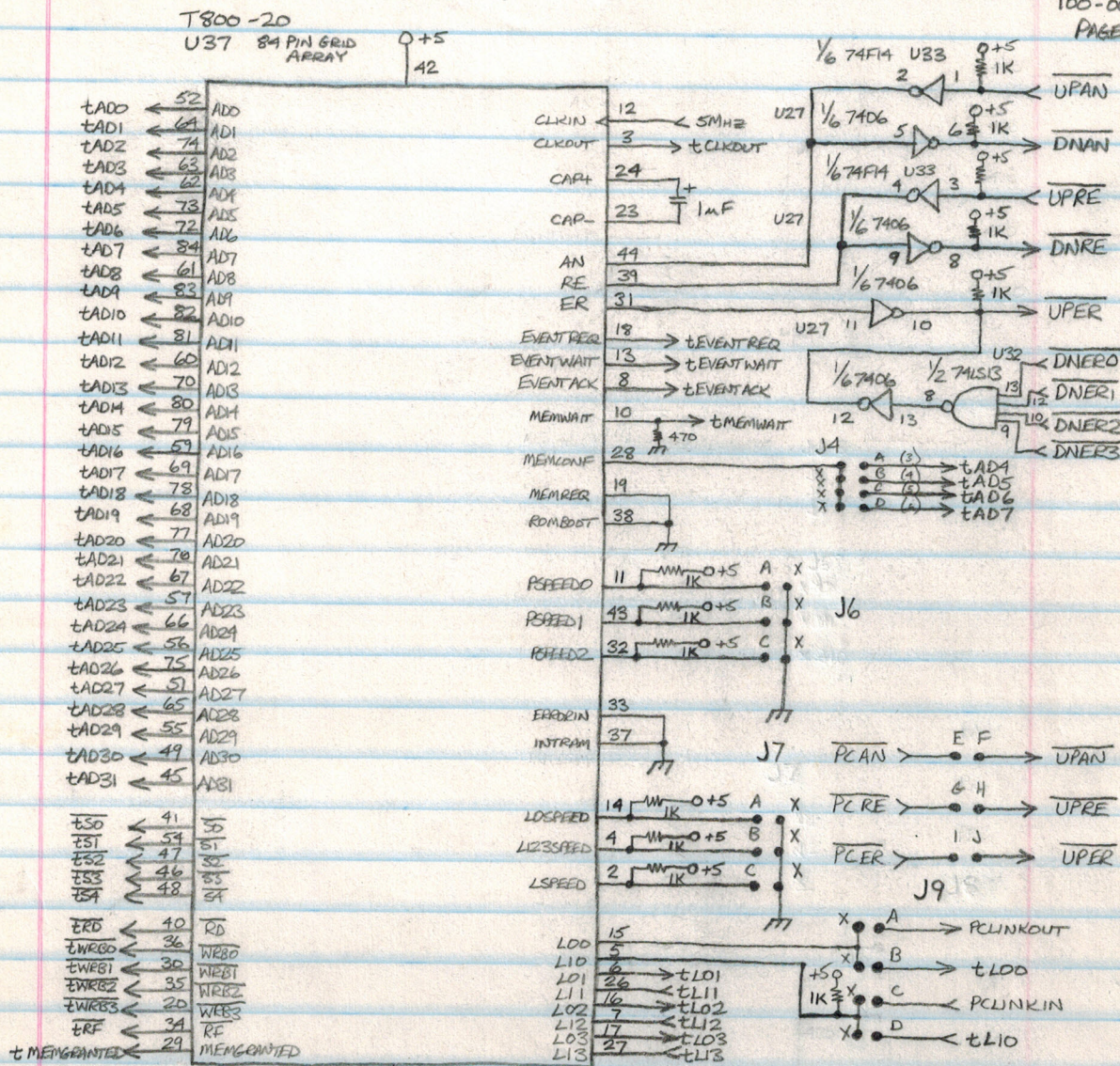
SYSTEM SERVICES AND RING



09/22/91

TRANSPUTER AND LINK I/O

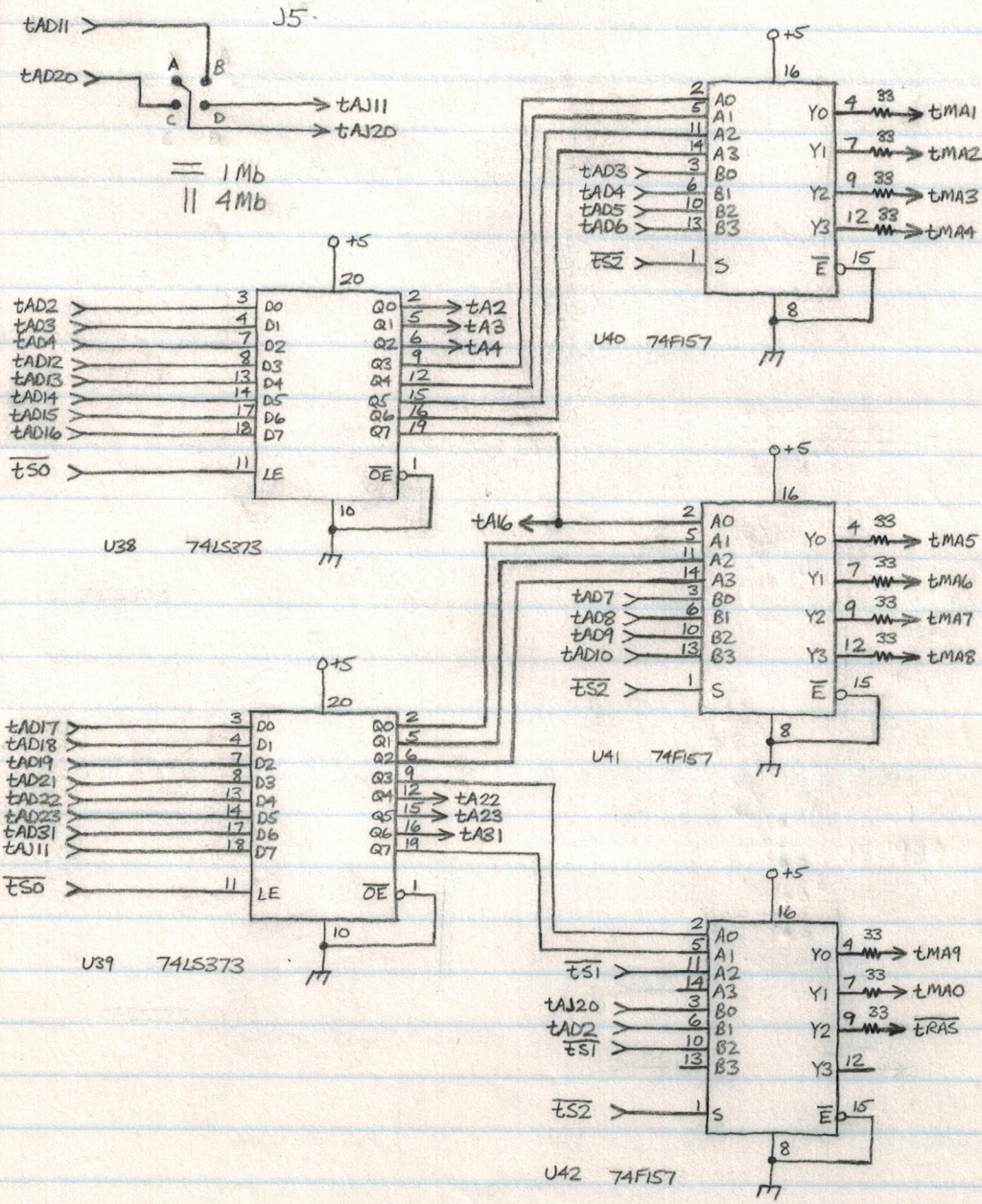
S401 PCB
100-0070
PAGE 6



09/22/91

TRANSPUTER MEMORY DEMULTIPLEXOR

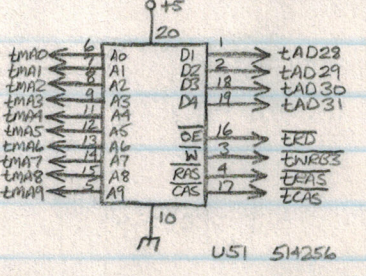
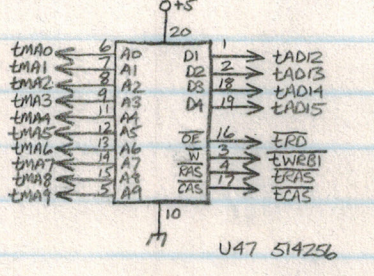
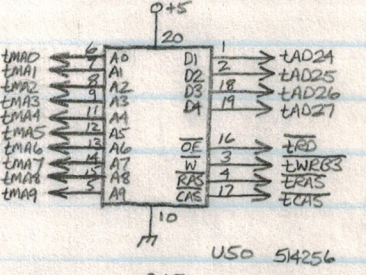
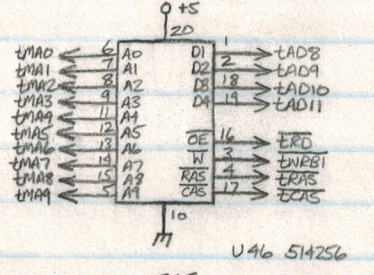
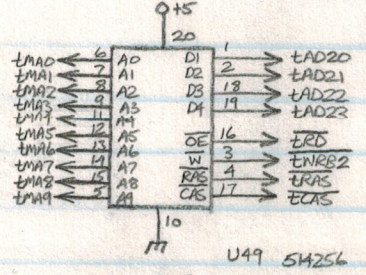
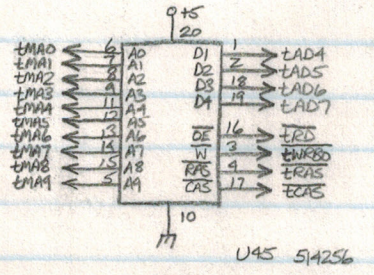
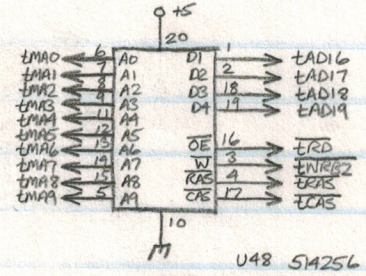
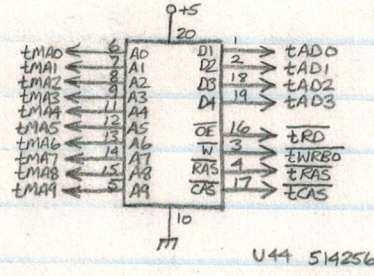
8401 PCB
100-0070
PAGE 7



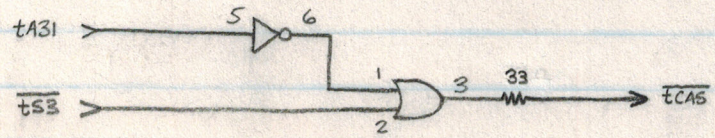
9/22/91

TRANSPUTER MEMORY

8401 PCB
100-0070
PAGE 8



1/6 74F14 U33



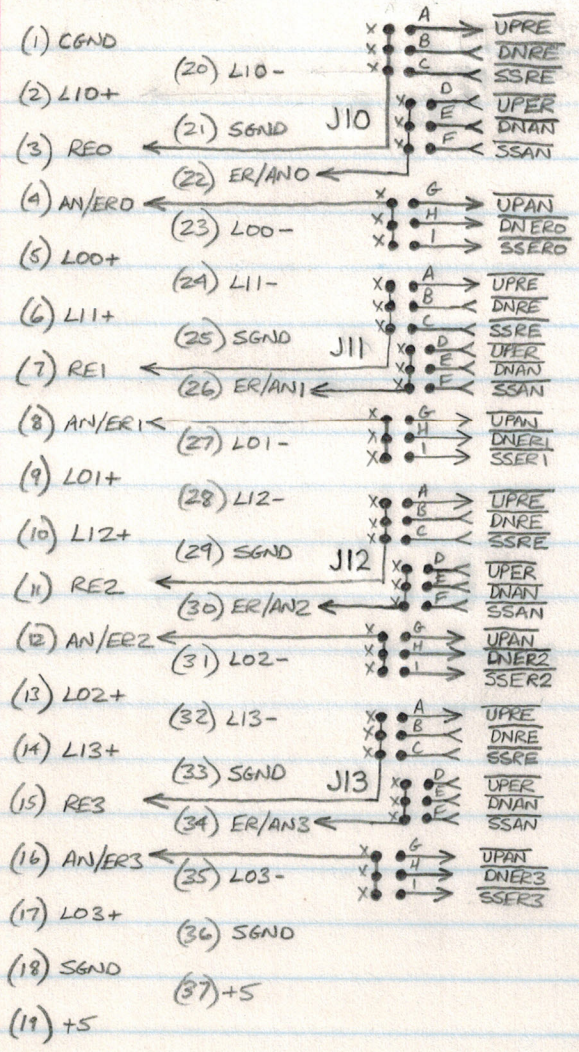
1/4 74F32 U43

09/22/91

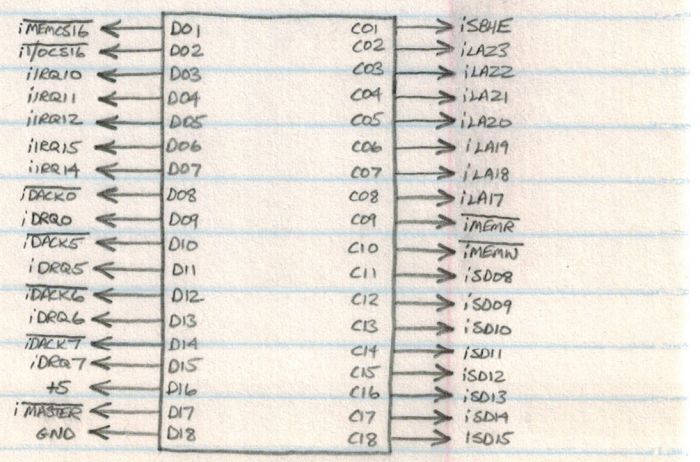
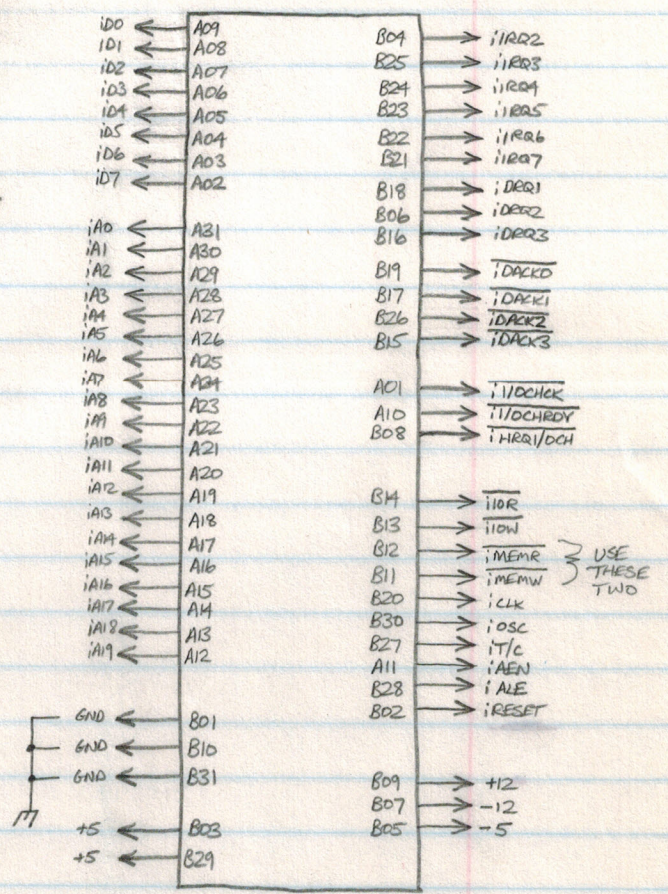
CONNECTOR PIN ASSIGNMENTS AND NUMBERS

8401 PCB
100-0070
PAGE 9

P2 - DB37 (P)



P1 - 62 + 36 PIN EDGE CONN.



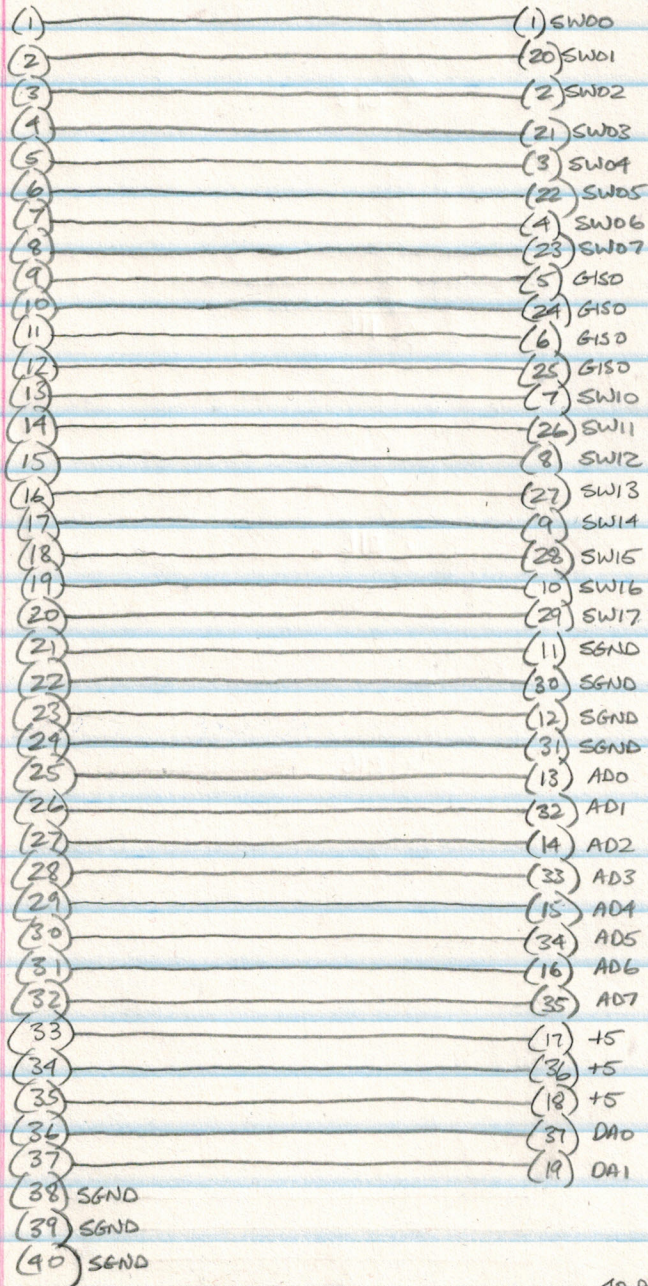
09/22/91

CABLE PIN ASSIGNMENTS

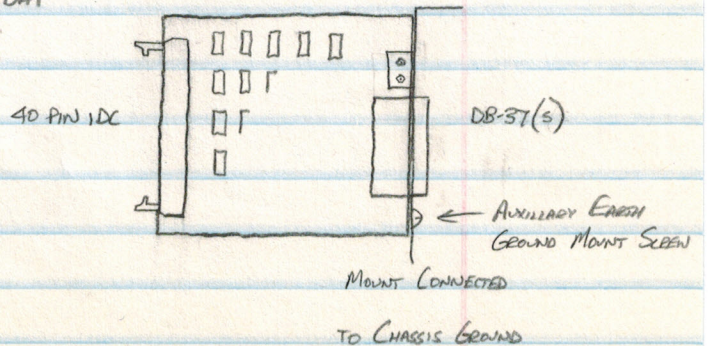
8401 PCB
100-0070
PAGE 10

P3- 40 PIN IDC

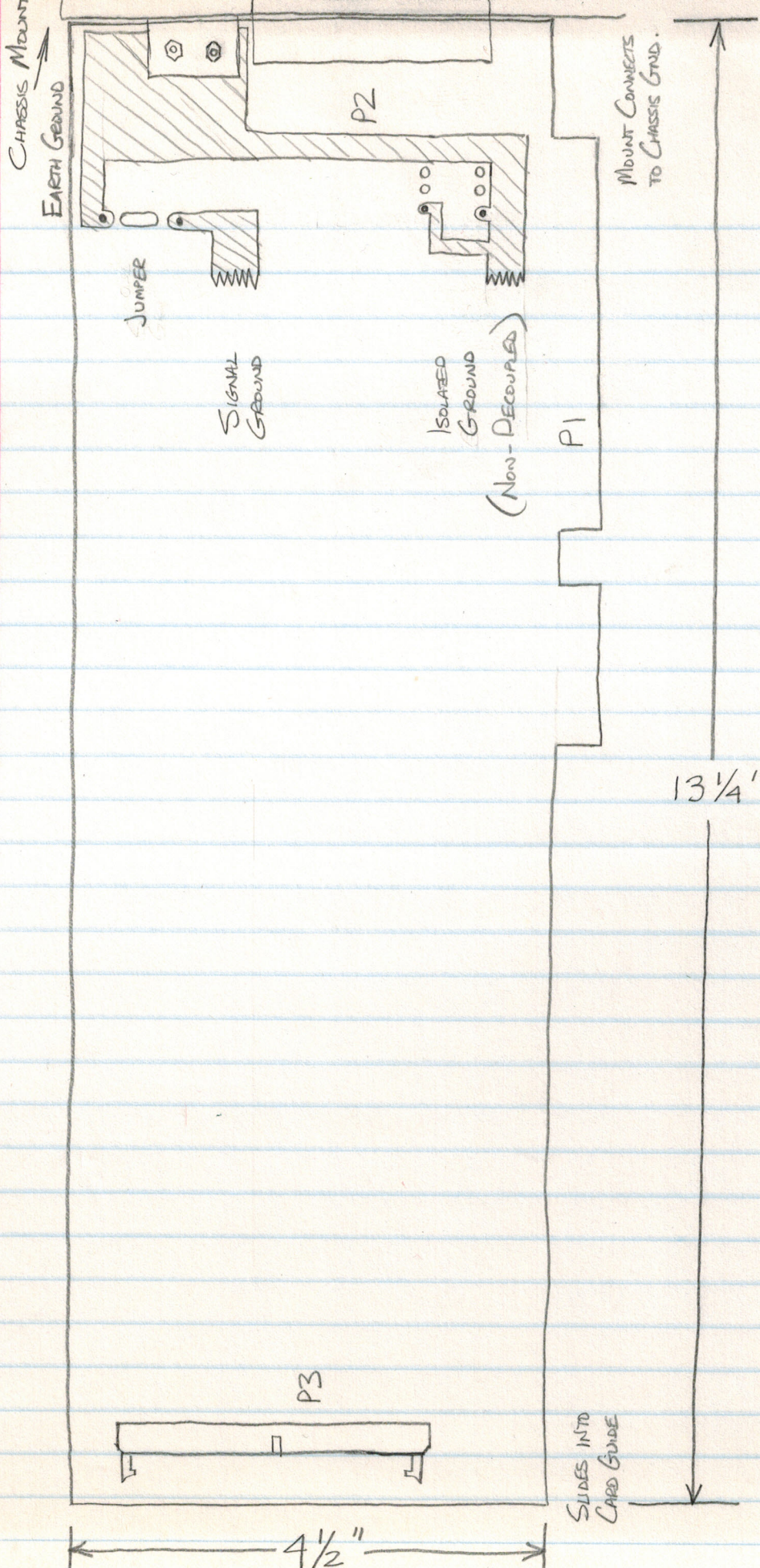
DB-37(S)



OPTIONAL SURGE PROTECTION BOARD



SINGLE POINT GROUND DETAIL



W. FARHAM

09/22/91

8401 PCB
160-0070
PAGE 11

LAYOUT